

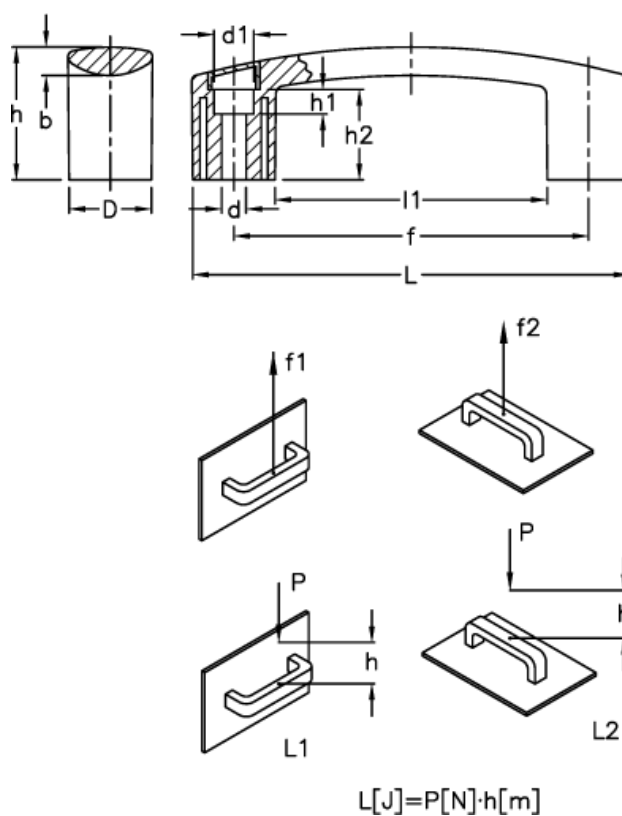
Data Sheet



Article number: 23052604111

Description: E+G Bridge handle
EBP.200-8-C1 Black

Measures



| | | | |
|--------|------------|--------|---------|
| b | = 9.5 | h1 | = 16.0 |
| d | = 8.5 | h2 | = 35.0 |
| D | = 28.5 | L | = 208.5 |
| d1 | = 13.5 | l1 | = 150.5 |
| f | = 179 +/-1 | L1 (J) | = 16 |
| F1 (N) | = 2200 | L2 (J) | = 9 |
| F2 (N) | = 1500 | | |
| h | = 51 | | |